


Hose Swivels

OPW 25



For Use With Fuel Oil Nozzles
(At Nozzle Inlet Only)


360° swivel action reduces physical strain of aligning the nozzle with the fillpipe.

Materials

Body: Hard coated aluminum
Bearings: Molded plastic
Seals: Buna-N O-ring, felt dust seals

Part No.	Size	Wt. (lbs.)
25-0110	1 1/4" NPT	.95
25-0120	1 1/2" NPT	1.00
25-C-0130	1 1/4" NPT with check valve	.95

OPW 45



For Use With Service Station Nozzles

Unique two planes of rotation for easy nozzle positioning and extended hose life.


UL Listed.

Materials

Body: Aluminum
Tail: Zinc
Adaptor: Zinc
Seals: Buna-N

Part No.	Size	Wt. (lbs.)
45-5060	3/4" M NPT x 3/4" F NPT	.65
45-5075	1" M NPT x 1" F NPT	1.16

OPW 36-S



For Use With Service Station Nozzles
(At Nozzle Inlet Only)

One plane of swiveling rotation eases positioning of nozzle in fillpipes.

UL Listed.

Materials

Body: Aluminum
Adaptor: Plated steel
Seals: Buna-N O-ring

Part No.	Size	Wt. (lbs.)
36-S-5080	3/4" M NPT x 3/4" F NPT	.30
36-S-5090	1" M NPT x 1" F NPT	.40

BREAKAWAY CONNECTOR - OPW 66

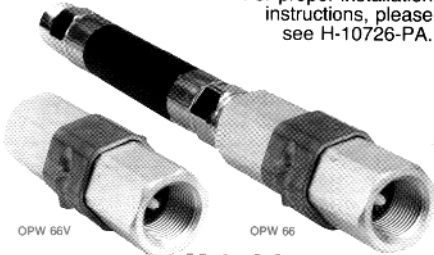
Designed to be installed in fuel dispensing hoses, the 3/4" will breakaway with a pull force of less than 250# and the 1" with a pull force of less than 300#. Dual valves seal automatically upon breakaway, limiting fuel spillage, while protecting dispensing equipment.

For proper operation the OPW 66-V must always be installed with a "straightening" hose with a minimum length of 9", similar to the OPW 66-H.

For proper installation instructions, please see H-10726-PA.

Part No.	Size	Wt. (lbs.)
66V-0250	3/4" F NPT x 3/4" F NPT, valve only	.60
66H-0075	3/4" M NPT x 3/4" M NPT x 9" long, hose only	.70
66-0075	3/4" M NPT x 3/4" F NPT valve and hose	1.50

Part No.	Size	Wt. (lbs.)
66V-1300	1" M NPT x 1" F NPT, valve only	.98
66H-1300	1" M NPT x 1" M NPT long hose only	1.29
66-1300	1" M NPT x 1" F NPT valve and hose	2.44



OPW 66V OPW 66

Materials

Body: Aluminum
Poppets: Molded plastic
Seals: Viton, disc type

GASOLINE SERVICE STATION EQUIPMENT

